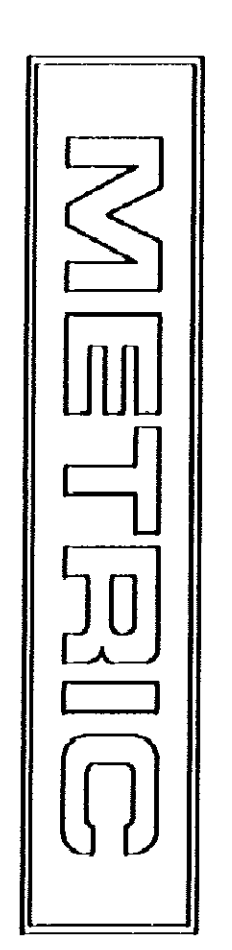
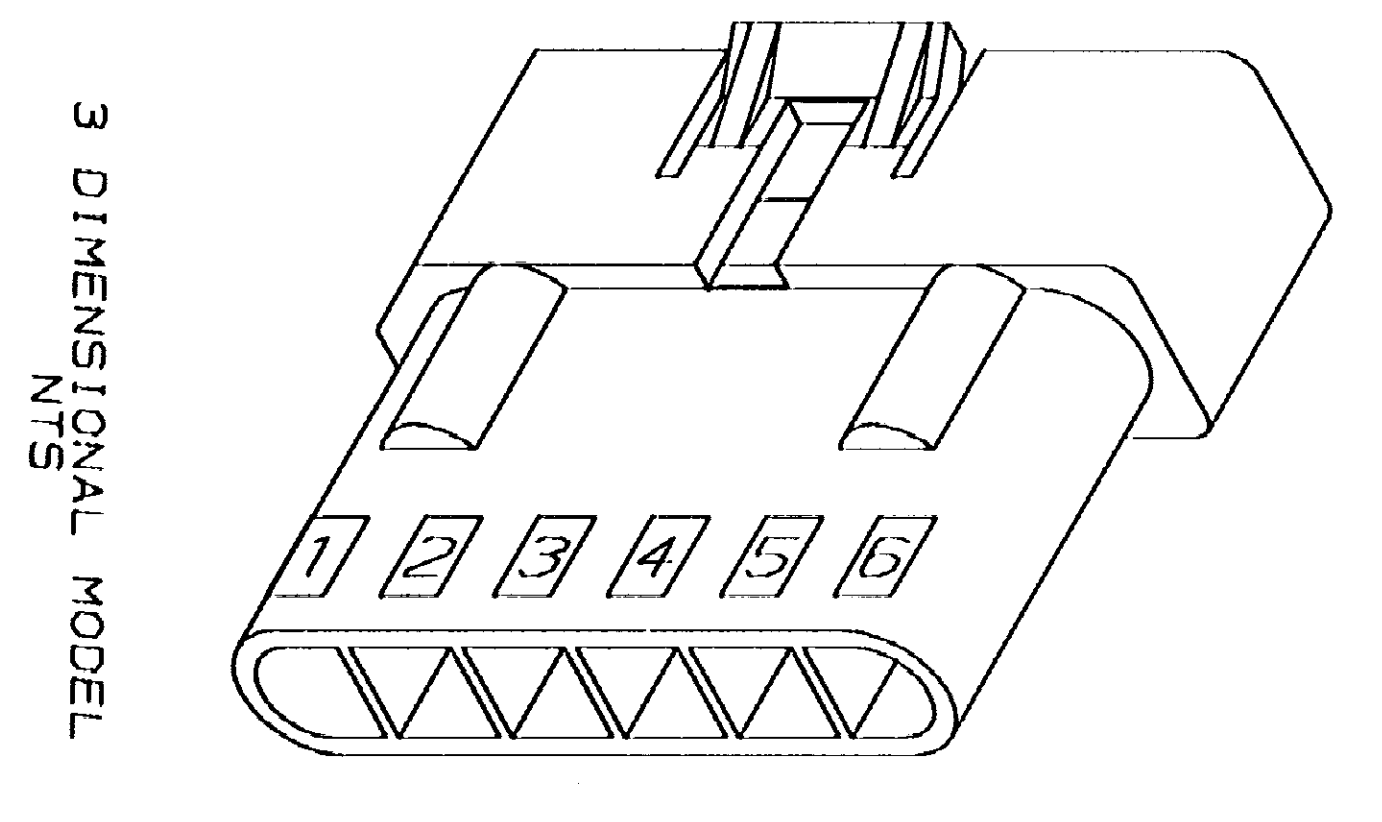
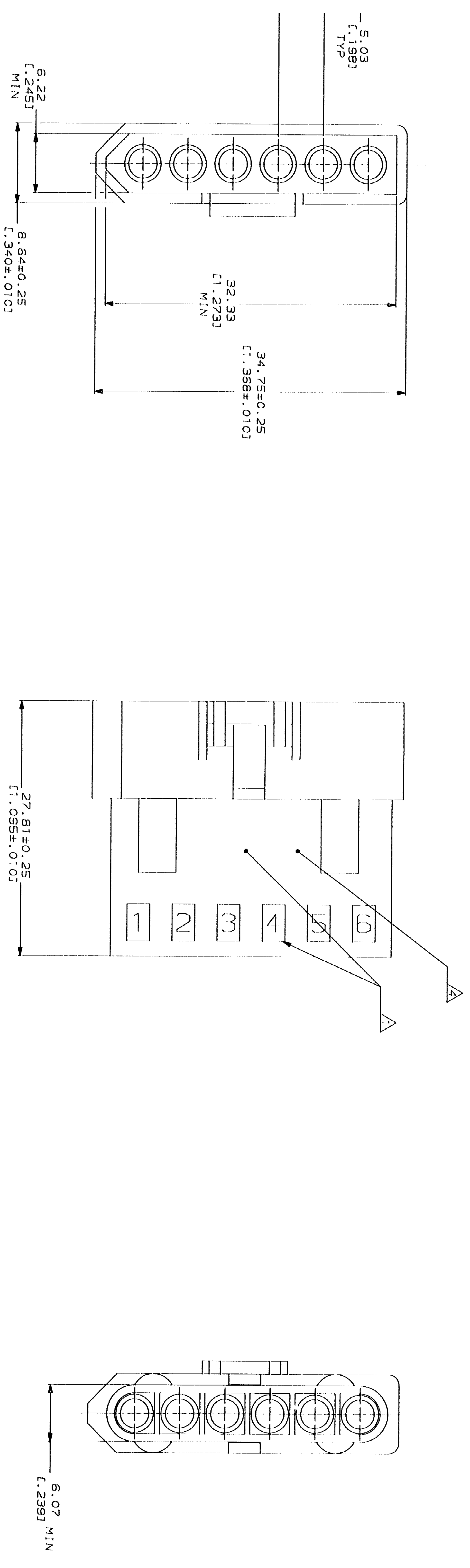


▲ AMP LOGO AND CIRCUIT NUMBERS LOCATED APPROXIMATELY AS SHOWN.

3. DIMENSIONS IN BRACKETS ARE IN INCHES.

▲ MARKING FOR UL LOGO AND CSA LOGO LOCATED APPROXIMATELY AS SHOWN ON SIDE OPPOSITE OF CIRCUIT NUMBERS.



DO NOT SCALE PRINT.	DR 2-6-92	NAME	PLUG, POSITIVE L
UNLESS SPECIFIED	K. SALMON	SIZE	FSCM NO
DIMENSIONS IN INCHES	CHK 2-6-92	DESCRIPTION	00779
DIMENSIONS IN MILLIMETERS	R. SWING	DRAWING NO	77084
1. UNLESS OTHERWISE NOTED	APPD 2-6-92	DATE	77084
2. PLG DEC # 0.13 (0.05)	APPD 2-6-92	SCALE	4:1
3. PLG DEC # 0.13 (0.05)	PRODUCT SPEC	SHEET	1
ANGLES	G. BROWN		
MATERIAL	NYLON, UL 94V-2		
	NATURAL		
FINISH			
	APPLICATION SPEC		
	HEIGHT		